



Technical Data

Centrifugal Pump - EH80-50-250

Revision no.

Page:

1

Receiver

From

 Company name
 Respons. Department
 Person in charge
 Phone number
 Fax no
 E-mail address

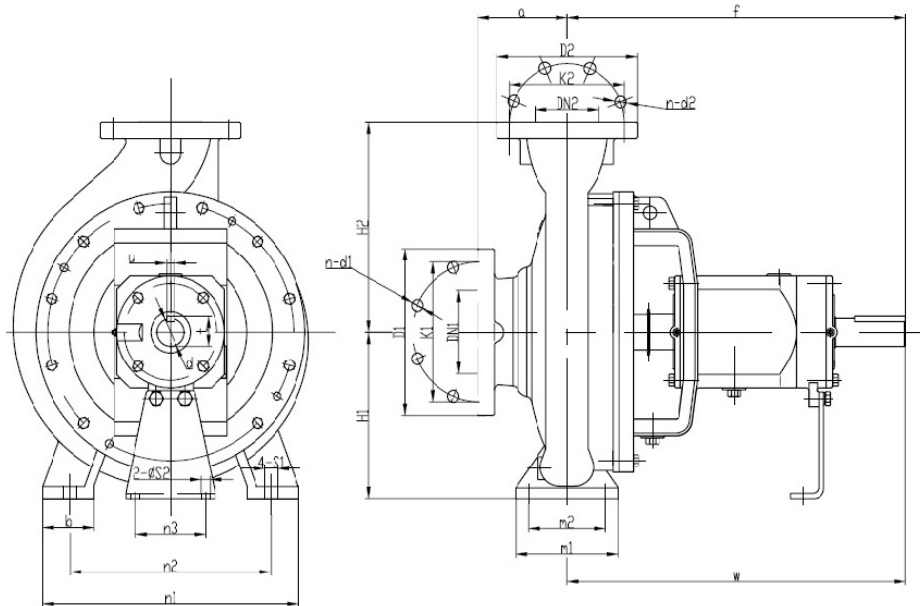
--	--



Brand: Gol Pumps
Model: EH80-50-250

Weight (lb)	
Pump	167

Dimensions:



Suction flange	Suction		Discharge	Discharge		Imp. Dia		Shaft no.
	mm	in		mm	in	mm	in	
DN80	80	3.2	DN50	50	2	250	10	2

Pump installation size (inch)

a	f	h1	h2	b	m1	m2	n1	n2	n3	c1	c2	w	S1	S2	d	t	u	l
5	20	7.2	9	2.6	5	3.8	12.8	10	4.4	0.6	0.2	14.8	M12	M12	1.3	1.4	0.4	3.2

Project

Project ID

Created by

Created on

Last update



Performance Curves

Centrifugal Pump - EH80-50-250

Revision no.

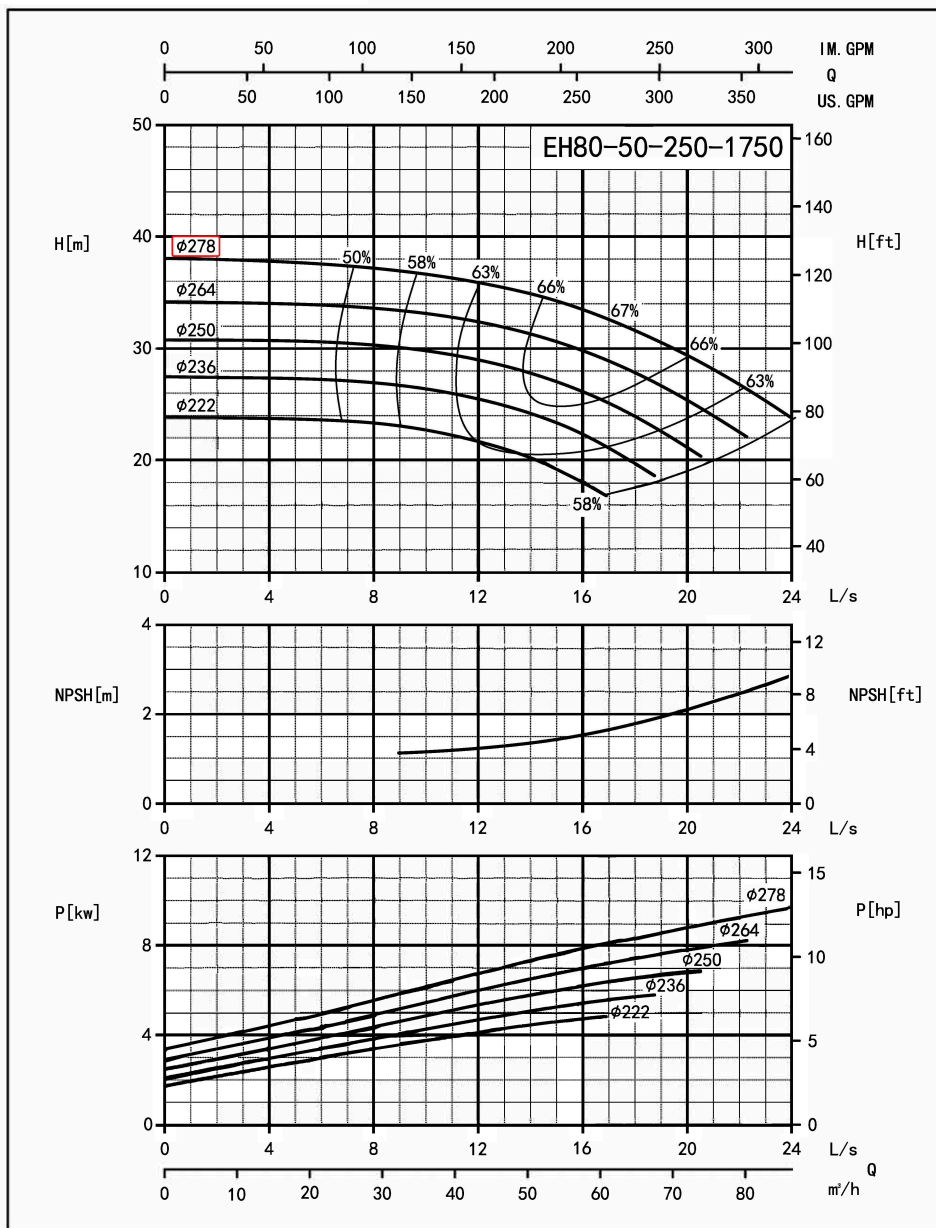
Page:
2

Receiver

From

Company name
Respons. Department
Person in charge
Phone number
Fax no
E-mail address

Model	Capacity				Head		Speed r/min	Power			Motor Model	Eff %	Impeller Dia.		NPSHr m		
	m ³ /h	L/s	GPM	GPH	m	Ft		Shaft	Motor								
								kw	kw	HP							
EH80-50-250	31.28	8.69	137.7	8262	37.00	121.4	1750	5.76	7.50	10.00	Y2-160M-4 11KW	54.8	278	10.9	1.1		
	52.14	14.48	229.6	13776	34.67	113.7		7.46	11.00	15.00						66	1.4
	62.57	17.38	275.5	16530	32.19	105.6		8.19	11.00	10.00						67	1.7



Performance to ISO9906 Grade 2 for clean cold water only

EF-A01/1603

Project	Project ID	Created by	Created on	Last update
---------	------------	------------	------------	-------------